

Changing the *Kodak* Flatbed Background

Following are instructions for replacing the *Kodak* Flatbed Background for the *Kodak* i2900 Scanner.

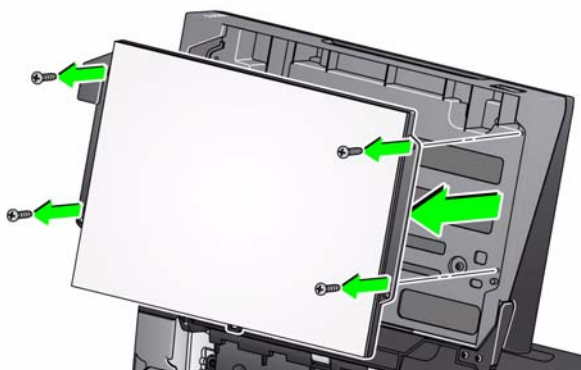
Replace the flatbed background when it is damaged or very dirty. If you are experiencing cropping issues, inspect the background and replace it if necessary.

NOTE: Handle the flatbed background with care during replacement.

1. Open the flatbed cover.



2. Using a Phillips head screwdriver, loosen and remove the four screws which hold the flatbed background in place.



3. Align the new flatbed and insert and tighten the screws until the flatbed background is secure.

